



LH 37 Mounting manual

Tripod Stand Adaptor

Important safety and mounting instructions

EN

- Have the product mounted by a specialist.
- Due to his/her technical training, know-how and experience as well as knowledge of relevant provisions, regulations and standards, the specialist must be able to assess assigned tasks, recognize potential hazards and ensure appropriate safety measures. The following safety and mounting instructions are addressed to this specialist.
- Read and follow the safety and mounting instructions, keep these instructions and always include them when passing the LH 37 on to third parties.
- Also read and follow the installation instructions contained in the operating manual of the mounted loudspeaker.
- When mounting, observe and follow the local, national and international regulations and standards.
- Mount the LH 37 in combination with other accessories from the Neumann mounting hardware range to loudspeakers with a maximum weight of 65 kg (143.3 lbs).
- The LH 37 is not suitable for suspended mounting. Only use the LH 37 for mounting on subwoofers as shown in fi .3.
- Do not install the LH 37 in locations where it is exposed to externally generated vibrations.
- Always use the original supplied parts.



In the following you will be asked to combine other accessories from the Neumann mounting hardware range with the LH 37. Download the PDF file "Hardware Mounting Matrix" from www.neumann.com. Only combine the Neumann mounting hardware as specified in the "Hardware Mounting Matrix".

- Fasten your loudspeaker to a Neumann mounting hardware that is also suitable for mounting to the LH 37 (e.g. LH 25, LH 36, LH 61, refer to the "Hardware Mounting Matrix"). Follow the safety and mounting instructions contained in the operating manual of the selected mounting hardware.
- Attach the LH 37 to the mounting hardware/loudspeaker combination (see fi . 1).
 - If different mounting positions are possible, choose mounting points that minimize leverage when the loudspeaker is tilted.
 - Tighten the nuts with a torque of 20 Nm.



CAUTION!
Danger of injury and material damage
due to dropping of the loudspeaker

Unless the LH 37 is properly fastened, the loudspeaker together with the mounting hardware can drop down.

- ▶ Have the loudspeaker held by a second specialist who is physically able to do so. The requirements mentioned earlier also apply to this specialist.
- ▶ When mounting the loudspeaker, provide a sufficient additional protection against dropping.

- Slide the LH 37 with the mounted loudspeaker as far as it will go into the opening on the upper side of the KH 870 subwoofer.

- Use safety wires to additionally protect the loudspeaker and the mounting hardware against tipping/dropping. The safety wires, rope terminations and coupling links must comply in their dimensioning and condition with the regulations and standards of the country in which they are used and must reliably prevent tipping/dropping of a load of 65 kg (143.3 lbs); when mounting the loudspeaker onto a subwoofer, you have to add the weight of the loudspeaker and the mounting hardware).
- Make sure that ...
 - you use both screws C to fasten the LH 37 to suitable Neumann mounting hardware;
 - the LH 37, the associated mounting hardware, and the loudspeaker cannot tip over or drop down, even if the power or audio cables are pulled;
 - you replace the safety wires and coupling links by new ones when they have prevented tipping/dropping;
 - you check every 3 months if all screws are properly tightened and if the LH 37 and associated mounting hardware, additional fastening elements, safety wires and coupling links, as well as the loudspeaker are in proper condition.

In case of any damage or any deviation from the safety and mounting instructions, immediately dismount the loudspeaker, the LH 37 and the additional mounting hardware used.

Delivery includes

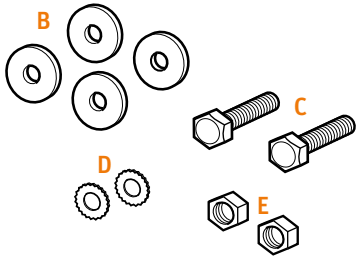
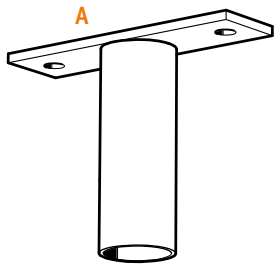
- A: 1 x LH 37 tripod stand adapter
- B: 4 x washers
- C: 2 x M8x25 screws
- D: 2 x lock washers
- E: 2 x M8 nuts

Specification

Weight	0.45 kg (1.0 lbs)
Dimensions	115 x 146 x 40 mm (H x W x D) 4 ½" x 5 ¾" x 1 ⅝" (H x W x D)
Max. load	65.0 kg (143.3 lbs)

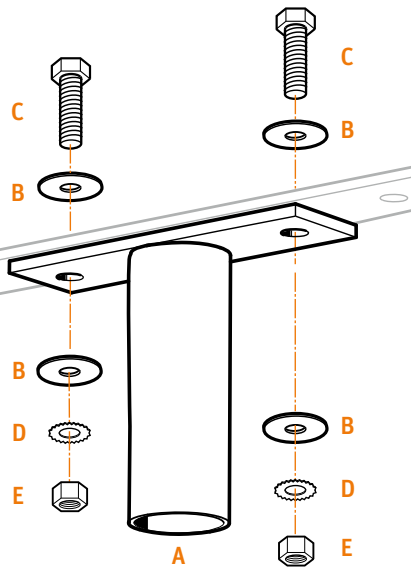
Guarantee

For the current terms and conditions of the product guarantee please visit www.neumann.com.

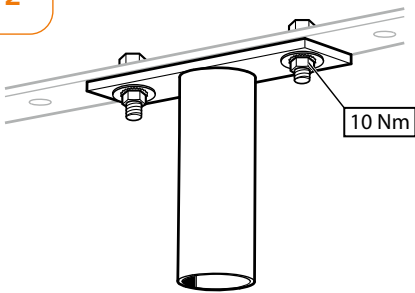


1

Example/Beispiel/
Exemple/Ejemplo:
LH 25



2



3

